

RPZ - backflow preventer - Supplied by

Function

The backflow preventer is a hydraulic protection device designed to prevent polluted water from flowing back into the mains supply network. This type of backflow may occur when the pressure in the mains supply network changes and causes a reversal of the flow. The backflow preventer is installed between the mains supply network and the internal consumer circuit in water supply systems and creates a safety zone which prevents the water in the two circuits from coming into contact.

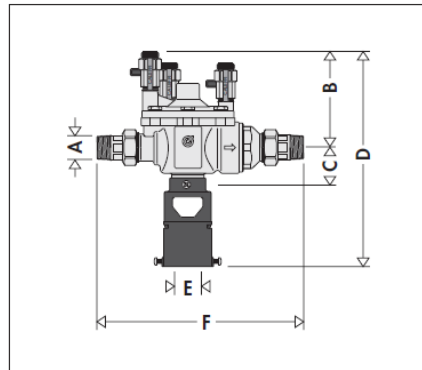
574 - 575 - 570 series



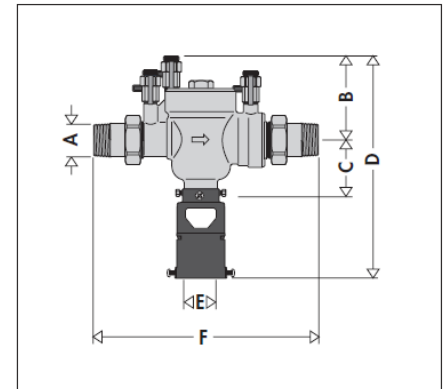
SC0933-09



01022/15 GB
 replaces dp 01022/03 GB

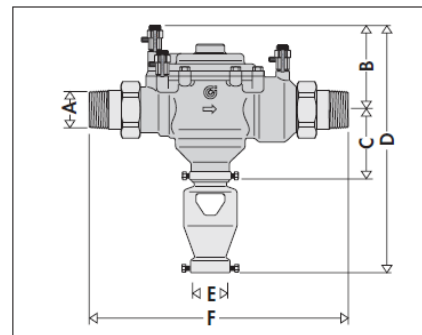


Code	A	B	C	D	E	F	Mass (kg)
574040	1/2"	103	44,5	263	Ø 40-60	227	2,9
574050	3/4"	103	44,5	263	Ø 40-60	227	2,9

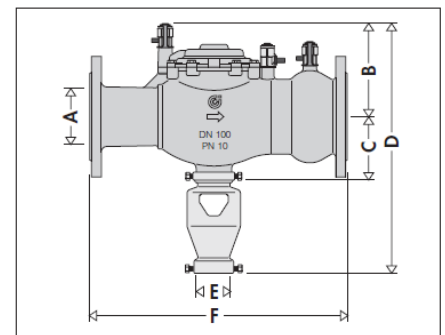


Code	A	B	C	D	E	F	Mass (kg)
574600	1"	100	74,5	292	Ø 40-60	280	4,7
574700	1 1/4"	100	74,5	292	Ø 40-60	280	4,7

Dimensions



Code	A	B	C	D	E	F	Mass (kg)
574800	1 1/2"	130	108,5	382	Ø 50	387	11,3
574900	2"	130	108,5	382	Ø 50	395	11,4

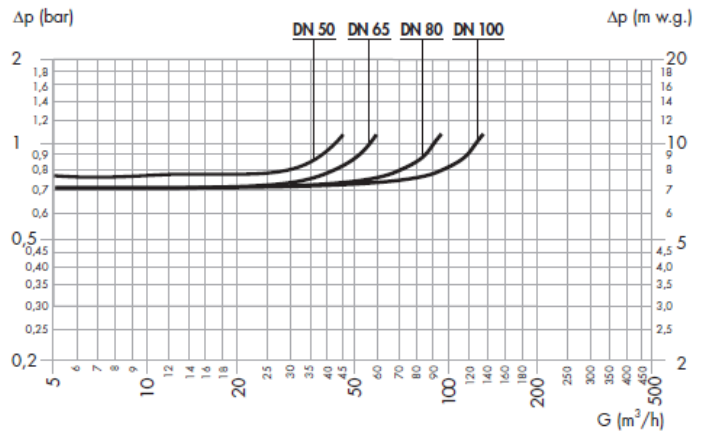
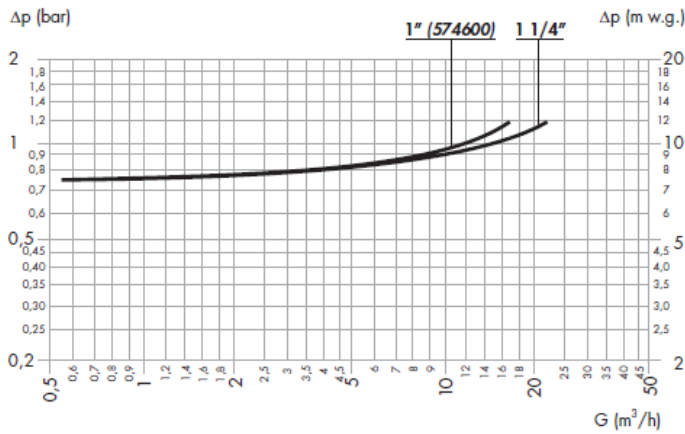
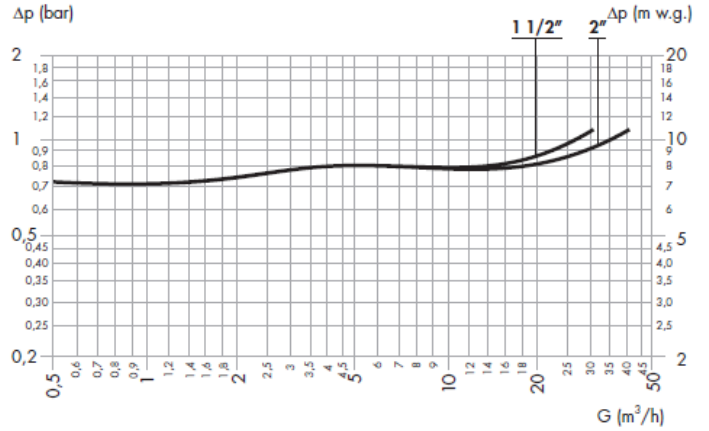
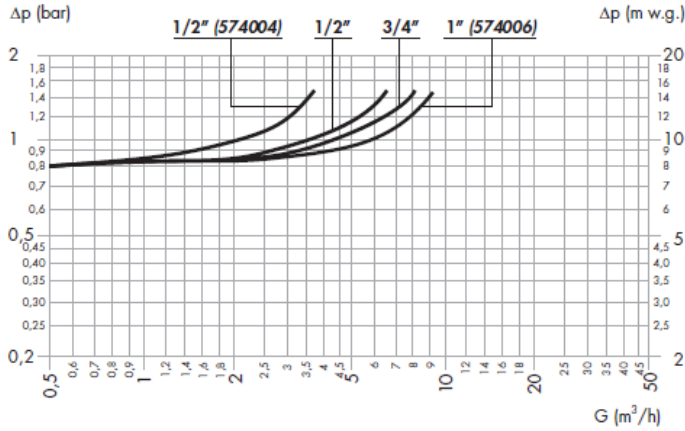


Code	A	B	C	D	E	F	Mass (kg)
575005	DN 50	129	108,5	382	Ø 50	302	13,2
575006	DN 65	132,5	108,5	385	Ø 50	305	17,0
575008	DN 80	170	115	484	Ø 80	470	26,5
575010	DN 100	170	115	484	Ø 80	470	28,0

* Sizes up to DN250 are available on request

RPZ - backflow preventer - Supplied by

Hydraulic characteristics



Installation

Backflow preventers must be installed by qualified personnel in accordance with current regulations. They must be installed downstream from a shut-off valve and from a strainer with a discharge that can be inspected and another shut-off valve must be fitted downstream from it. The unit must be installed in an accessible position, appropriately located to avoid possible immersion due to accidental flooding (see diagram). The device must be fitted horizontally. The discharge tundish must comply with standard EN 1717 and be connected to the sewage piping. Before installing the backflow preventer and the strainer, the pipework must be flushed with a large flow rate. When used to protect the mains supply network, backflow preventers must be installed downstream from the water meter, whereas when used to protect the potable water supply system for internal usage, they are installed at the limit of the zone where pollution might occur, e.g. central heating systems, garden irrigation systems, etc.

