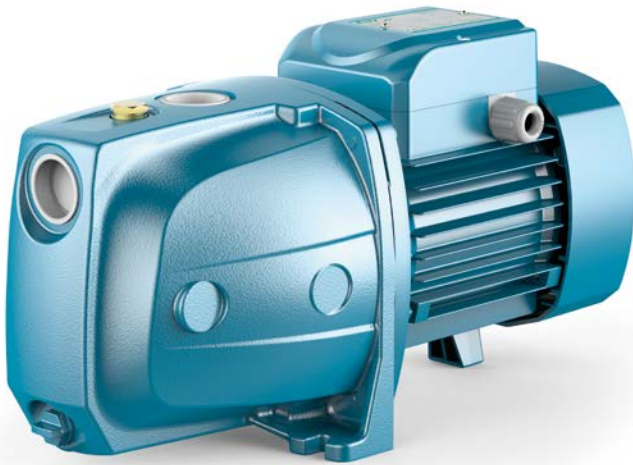


# JS 2

## SELF-PRIMING "JET" PUMPS



Clean water
 Domestic use
 Civil use



### PERFORMANCE RANGE

- Flow rate up to **70 l/min** (4.2 m<sup>3</sup>/h)
- Head up to **58 m**

### APPLICATION LIMITS

- Manometric suction lift up to **9 m** (HS)
- Liquid temperature between **-10 °C** and **+40 °C**
- Ambient temperature up to **+40 °C**
- Max. working pressure **6 bar**
- Continuous service **S1**

### CONSTRUCTION AND SAFETY STANDARDS

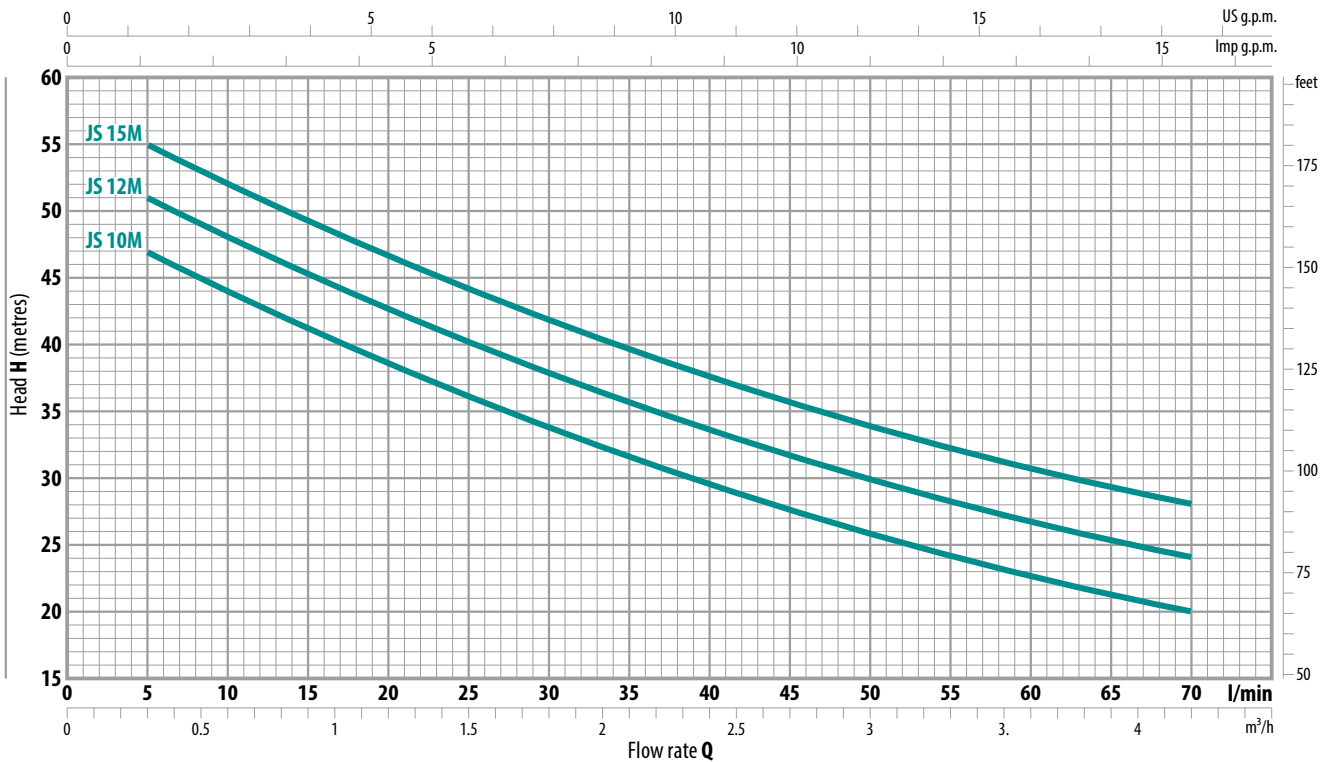
**EN 60335-1**  
**IEC 60335-1**  
**CEI 61-150**

**EN 60034-1**  
**IEC 60034-1**  
**CEI 2-3**



## CHARACTERISTIC CURVES AND PERFORMANCE DATA

50 Hz | n = 2900 min<sup>-1</sup> | HS = 0 m



| MODEL        |             | POWER (P <sub>2</sub> ) |      | Q        | Flow rate Q       |    |     |      |     |     |      |      |     |      |     |     |  |  |
|--------------|-------------|-------------------------|------|----------|-------------------|----|-----|------|-----|-----|------|------|-----|------|-----|-----|--|--|
| Single-phase | Three-phase | kW                      | HP   |          | m <sup>3</sup> /h | 0  | 0.3 | 0.6  | 1.2 | 1.5 | 1.8  | 2.4  | 2.7 | 3.0  | 3.6 | 4.2 |  |  |
|              |             |                         |      | l/min    | 0                 | 5  | 10  | 20   | 25  | 30  | 40   | 45   | 50  | 60   | 70  |     |  |  |
| JS 10M       | JS 10       | 0.75                    | 1    | H metres | 50                | 47 | 44  | 38.5 | 36  | 34  | 29.5 | 27.5 | 26  | 22.5 | 20  |     |  |  |
| JS 12M       | JS 12       | 0.90                    | 1.25 |          | 54                | 51 | 48  | 42.5 | 40  | 38  | 33.5 | 31.5 | 30  | 26.5 | 24  |     |  |  |
| JS 15M       | JS 15       | 1.1                     | 1.5  |          | 58                | 55 | 52  | 46.5 | 44  | 42  | 37.5 | 35.5 | 34  | 31   | 28  |     |  |  |

Q = Flow rate  
 H = Total manometric head  
 HS = Suction height

Tolerance of characteristic curves in compliance with EN ISO 9906 Grade 3B.

## INSTALLATION AND USE

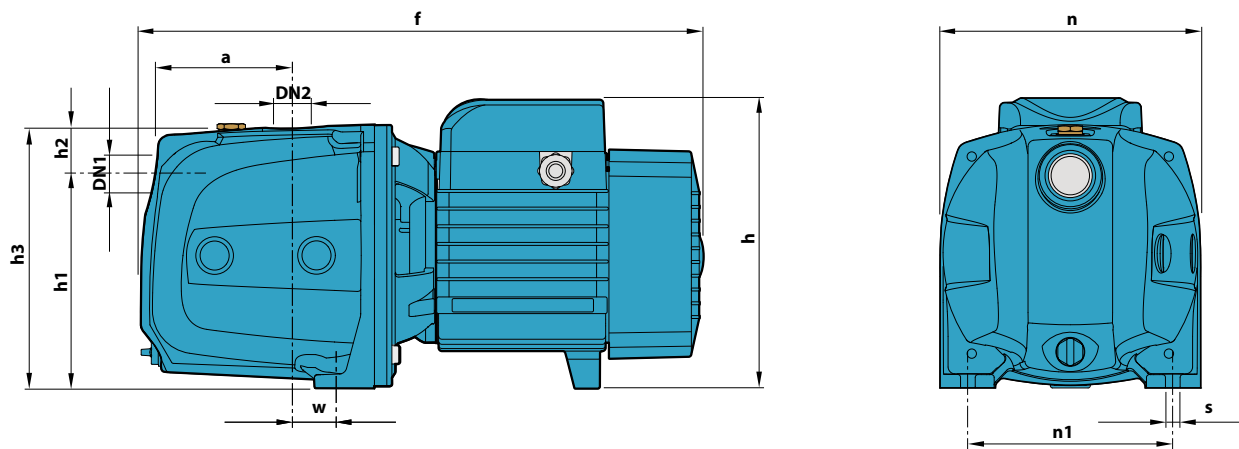
Suitable for use with clean water and liquids that are not chemically aggressive towards the materials from which the pump is made. The self-priming JS pumps are designed to pump water even in cases where air is present. Because of their reliability and the fact that they are easy to use, they are recommended for use in domestic applications such as the distribution of water in combination with small or medium sized pressure tanks, and for the irrigation of gardens and orchards, etc.

The pump should be installed in an enclosed environment or sheltered from inclement weather.

## CONSTRUCTION CHARACTERISTICS

|                        |   |
|------------------------|---|
| <b>PUMP BODY</b>       | Cast iron with an Epoxy Electro Coating treatment, with threaded ports in compliance with ISO 228/1 |
| <b>IMPELLER</b>        | Stainless steel AISI 304  |
| <b>MOTOR SHAFT</b>     | Stainless steel EN 10088-3 - 1.4104   |
| <b>MECHANICAL SEAL</b> | Ceramic - Graphite - NBR  |
| <b>ELECTRIC MOTOR</b>  | The three-phase pumps are fitted with high performance motors in class IE3 (IEC 60034-30)           |

## DIMENSIONS AND WEIGHT



| MODEL        |             | PORTS |     | DIMENSIONS mm |     |       |     |    |     |     |     |    |    | kg   |      |
|--------------|-------------|-------|-----|---------------|-----|-------|-----|----|-----|-----|-----|----|----|------|------|
| Single-phase | Three-phase | DN1   | DN2 | a             | f   | h     | h1  | h2 | h3  | n   | n1  | w  | s  | 1~   | 3~   |
| JS 10M       | JS 10       | 1"    | 1"  | 96            | 388 | 201 * | 147 | 33 | 180 | 180 | 142 | 22 | 10 | 13.0 | 13.0 |
| JS 12M       | JS 12       |       |     |               |     |       |     |    |     |     |     |    |    | 14.0 | 14.0 |
| JS 15M       | JS 15       |       |     |               |     |       |     |    |     |     |     |    |    | 14.2 | 14.2 |

(\*) h=220 mm for single phase versions at 110 V

## ABSORPTION

| MODEL        | VOLTAGE |       |        |
|--------------|---------|-------|--------|
|              | 230 V   | 240 V | 110 V  |
| Single-phase |         |       |        |
| JS 10M       | 4.7 A   | 4.5 A | 9.4 A  |
| JS 12M       | 5.8 A   | 5.3 A | 11.6 A |
| JS 15M       | 6.0 A   | 5.5 A | 12.0 A |

| MODEL       | VOLTAGE |       |       |       |       |       |
|-------------|---------|-------|-------|-------|-------|-------|
|             | 230 V   | 400 V | 690 V | 240 V | 415 V | 720 V |
| Three-phase |         |       |       |       |       |       |
| JS 10       | 3.5 A   | 2.0 A | 1.2 A | 3.4 A | 1.9 A | 1.1 A |
| JS 12       | 4.6 A   | 2.7 A | 1.6 A | 4.4 A | 2.5 A | 1.5 A |
| JS 15       | 5.1 A   | 3.0 A | 1.7 A | 4.9 A | 2.8 A | 1.6 A |

## PALLETIZATION

| MODEL        |             | GROUPAGE | CONTAINER |
|--------------|-------------|----------|-----------|
| Single-phase | Three-phase | n. pumps | n. pumps  |
| JS 10M       | JS 10       | 72       | 96        |
| JS 12M       | JS 12       | 72       | 96        |
| JS 15M       | JS 15       | 72       | 96        |