

Medium capacity air pump

CP-60W / 80W



Pressure type

Dust control "Cyclon filter"

Two directional control valve

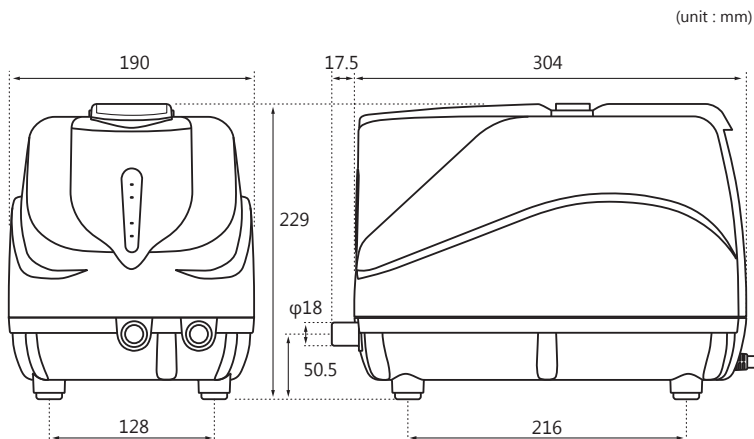
No need of grounding

Outdoor (Rainproof) use

Applications

- Septic tank (biological contact aeration)
- Air injection for bubble bath
- Small capacity compressor

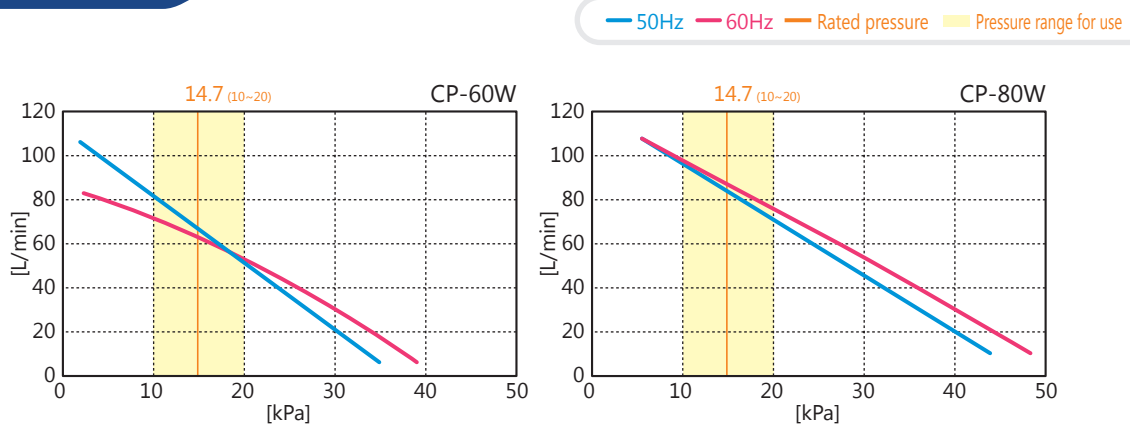
Dimensions



Specifications

	CP-60W		CP-80W	
Rated voltage [V]	AC100 / 230			
Power frequency [Hz]	50	60	50	60
Rated pressure [kPa]	14.7			
Airflow volume [L/min]	60		80	
Power consumption [W]	39		58	
Sound level [dBA]	35		36	
Weight [kg]	6.4			

Performance Curve



* All characteristics values are only for reference, and are not guaranteed values.
* Note that the operating temperature for our pumps is 41°F(5°C) to 104°F(40°C).